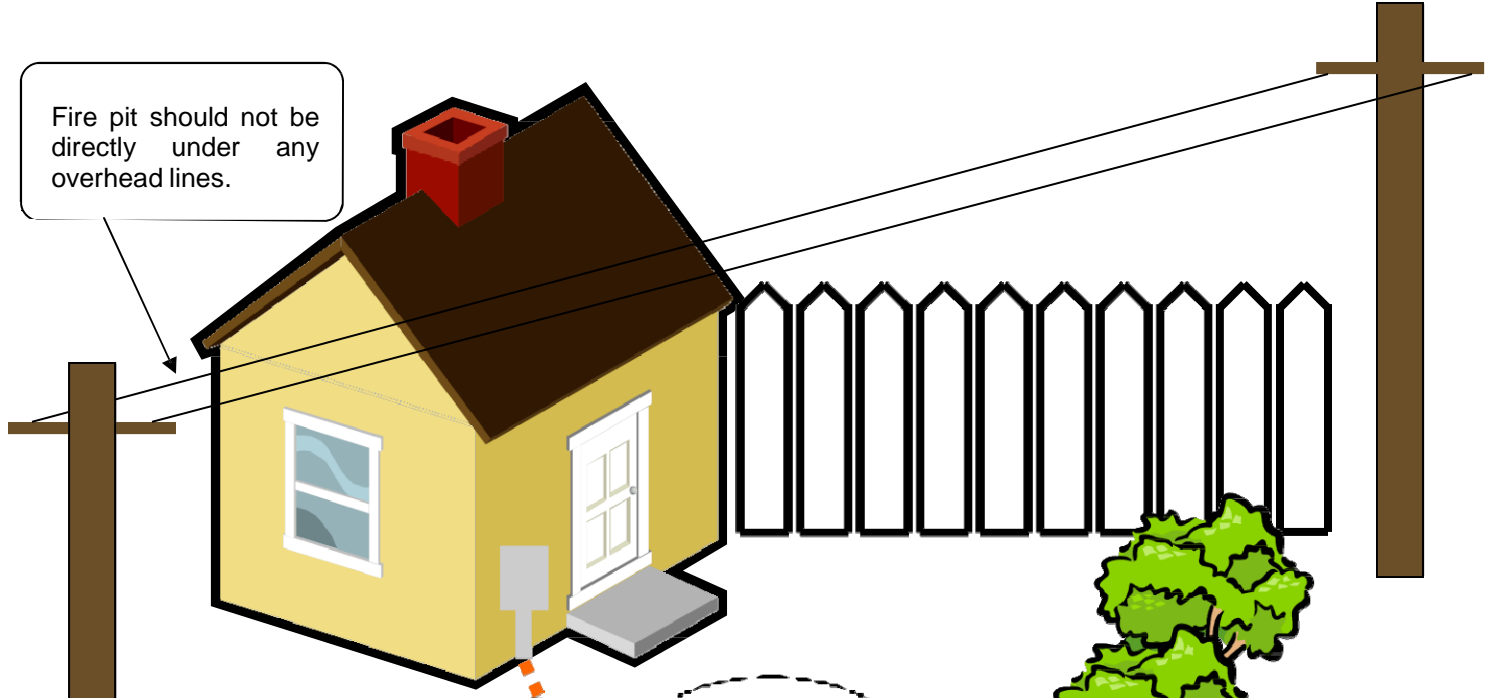
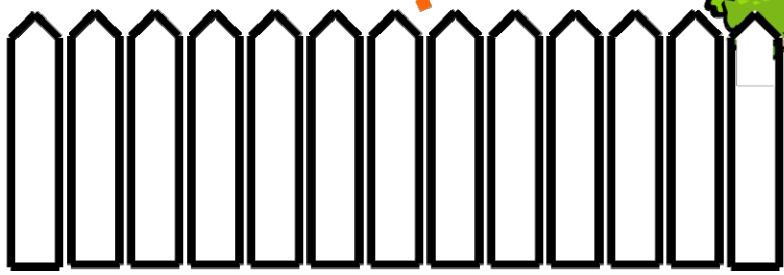
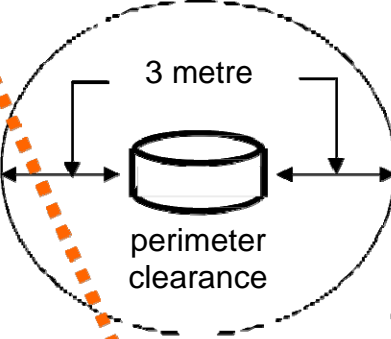


Fire pit should not be directly under any overhead lines.

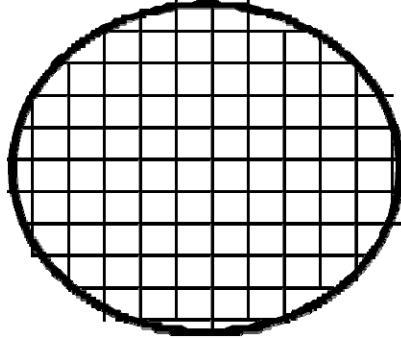
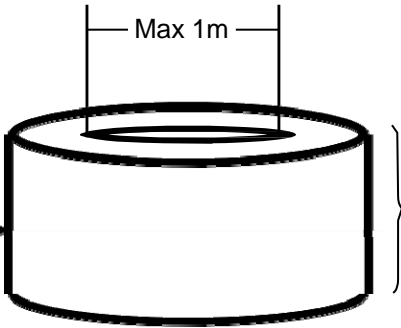


Gas line and utilities must be 1 m or more away from fire pit.



Spark Retention Mesh Screen with a grid no larger than 1.3 cm

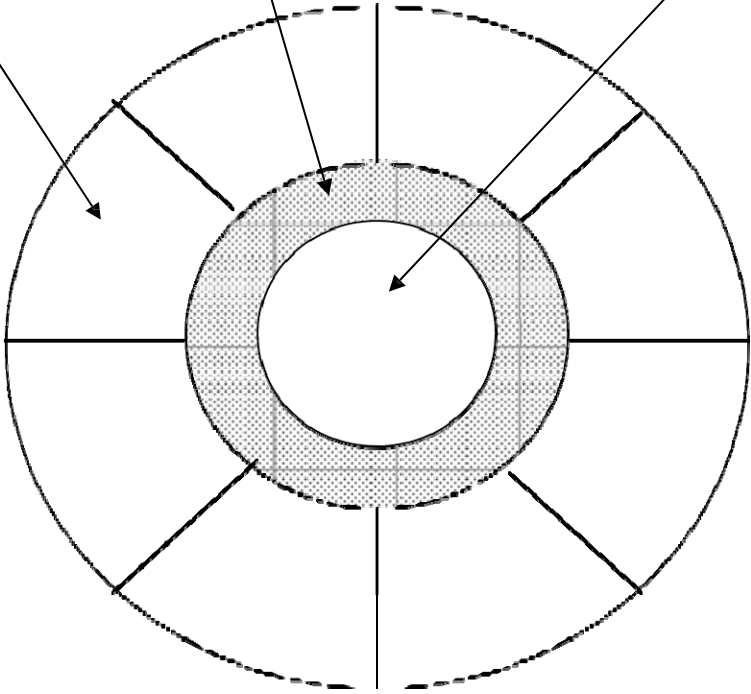
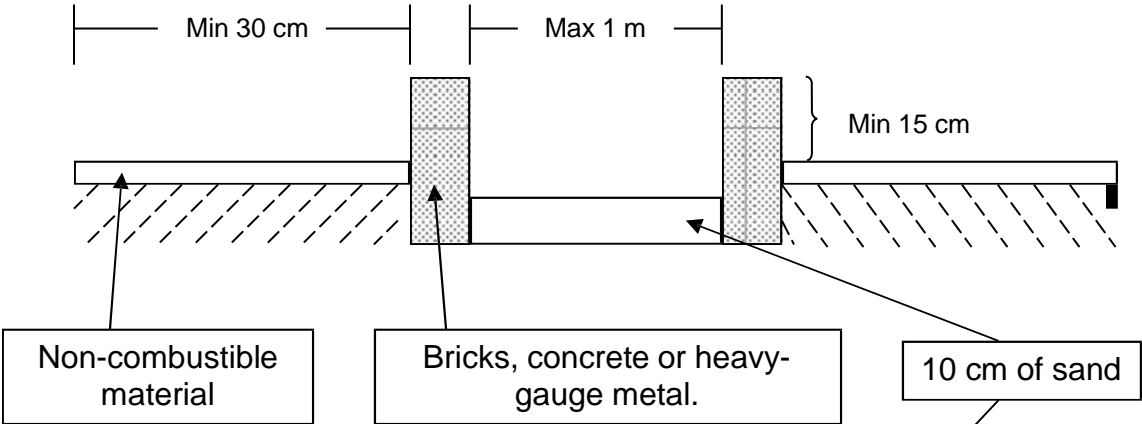
Has enclosed sides made from bricks, concrete or heavy-gauge metal.



Min 15 cm

# Burning Device Construction Guidelines

## Side View



## Overhead View

*Alberta's Centennial City™*



# **City of Brooks**

## **Protective Services - Fire and Rescue**

504 Cassils Road  
East  
Brooks, AB T1R 1M6  
Phone: 403.362.2331 Fax: 403.362.6810  
Website:  
[www.brooks.ca](http://www.brooks.ca)



## **FIRE PITS**

The following is provided as information about the laws and safety aspects of fire pits located within the boundaries of the City of Brooks. For further information, please contact the Brooks Fire Department at the above address or telephone number.

The City of Brooks regulates the construction and operation of Burning Devices, which includes Fire Pits under Bylaw 00/04. Any person who contravenes this bylaw is guilty of an offense and upon summary conviction liable to imprisonment for a term of not more than six months, or to a fine of up to two hundred (\$200.00) dollars, or to both fine and imprisonment.

Fire pit applications are available at the City Office for a one-time fee of \$30.00 (provided no alterations or relocations of the fire pit are made). Ownership of a Fire Pit is not transferable. Attached to the applications are the regulations, as follows, and a sample design plan.

- Fire pit shall not be constructed over any underground utility.
- There shall be 3m (10') between the eve of the nearest building and the closest edge of the fire pit.
- Fire pit shall not be constructed within 3m (10') of a fence or any other combustible material.
- Natural gas fired approved devices may be located closer than 3m (10') from combustible material but in no case shall such a device be located contrary to the manufacturer's recommendations.

Only seasoned dry wood can be burned in a fire pit and this device shall not be used for burning of green wood, garbage or other such items. The fires are to be kept small and safe and a supply of water shall be at close hand just in case. A spark retention screen covering the entire top of the pit shall be in place at all times when the fire pit is being burned.

Application for Fire Pits within Mobile Home Parks must also have the approval of the Mobile Home Park Manager.

If you do not have a signed, approved Fire Pit Permit or you are not following the above rules and regulations please do not use your pit and contact the undersigned during normal business hours.

Thank you for your cooperation.